

## Attaching Pencil Drawer

### Tool Required:

7/16" Wrench

### Hardware Included:

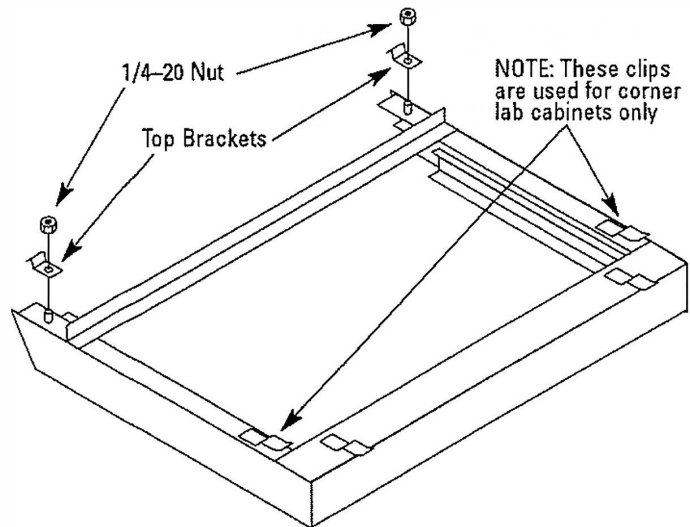
- 2 Top brackets
- 2 1/4-20 Nuts

### Refer to Figure 1:

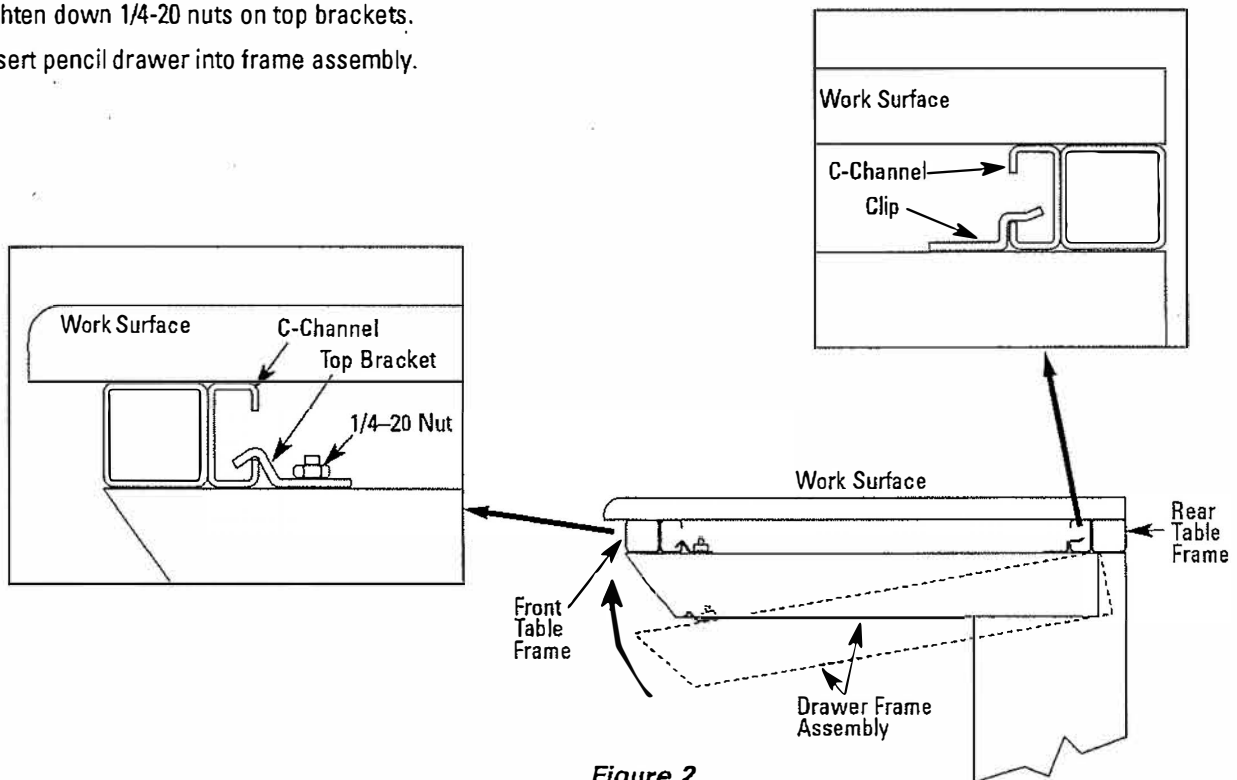
1. Remove pencil drawer from frame assembly.
2. Attach two top brackets to frame assembly using 1/4-20 nuts from bag assembly. Do not tighten top brackets at this time.

### Refer to Figure 2:

3. Determine where pencil drawer is to be located under table and insert back end of frame assembly into back C-channel of table.
4. Attach front end of frame to front C-channel using top brackets.
5. Adjust frame perpendicular to C-channel and tighten down 1/4-20 nuts on top brackets.
6. Insert pencil drawer into frame assembly.



**Figure 1**  
**Pencil Drawer Frame Assembly**



**Figure 2**  
**Attaching Pencil Drawer Frame Assembly**