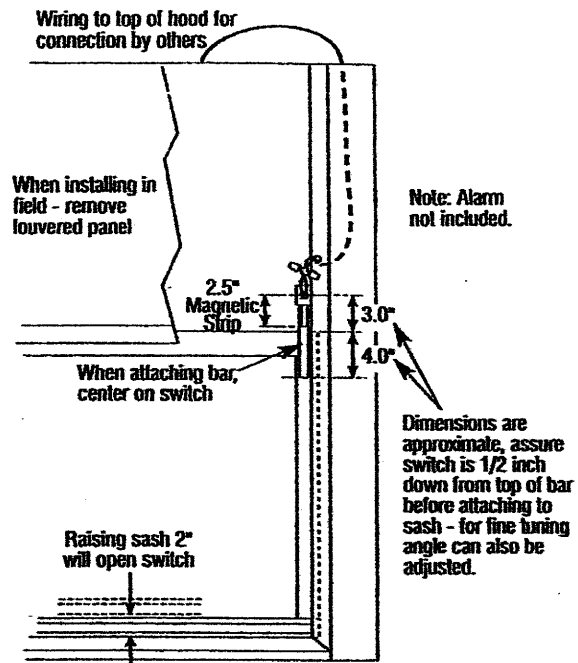


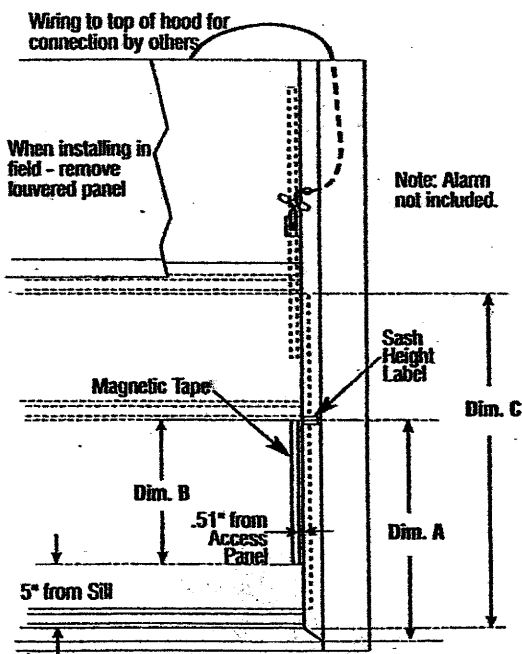
Installing Fume Hood Sash Height Switch

Tools Required:
 Electric drill and 7/64 bit
 Phillips Head Screwdriver
 1/2" Wrench

Hardware Included:
 Bag Assembly

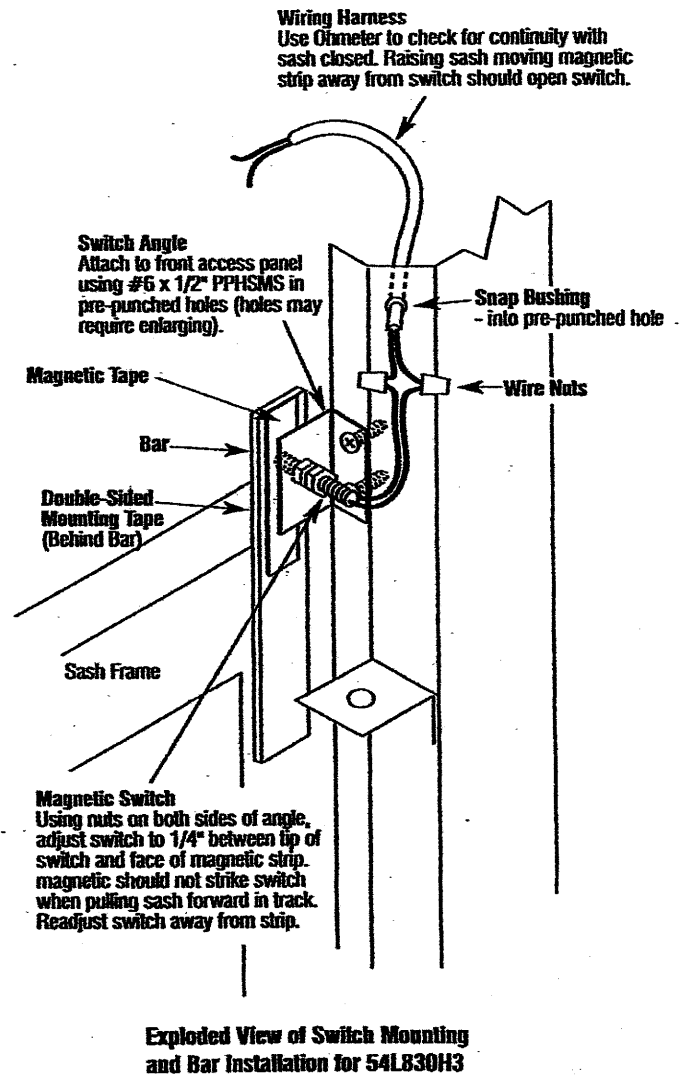


Mounting Dimensions - 54L830H3



	Dim. A	Dim. B	Dim. C
54L830H1	18"	12.0"	27.5"
54L830H2	18"	19.5"	35.0"

Mounting Dimensions - 54L830H1 and 54L830H2
 For connection to an alarm to signal when the sash is opened beyond exhaust system designed opening.



Exploded View of Switch Mounting and Bar Installation for 54L830H3



Fisher Hamilton L.L.C.
 Two Rivers, WI 54241
 Tel: 920-793-1121