

Thank you for purchasing Hamilton steel adjustable-leg tables.

Upon receiving shipment, examine each carton for damage. If damage occurred during shipment, notify the carrier immediately.

When ordering replacement parts, have a complete description (height, width, depth) and model number of your unit(s).

Before starting assembly, have the required tools and materials available. Wear protective safety equipment when using tools.

Tools Required (not included):

Tape Measure
Screwdrivers, Phillips head and flat head
Electric Drill
Center Punch
No. 8 Drill Bit or 13/64" Drill Bit
Level
Wrenches, Open End
Allen Wrenches
Marking device (Pencil, etc.)

Material Included:

100% clear silicone adhesive (One 10 Oz. Tube)

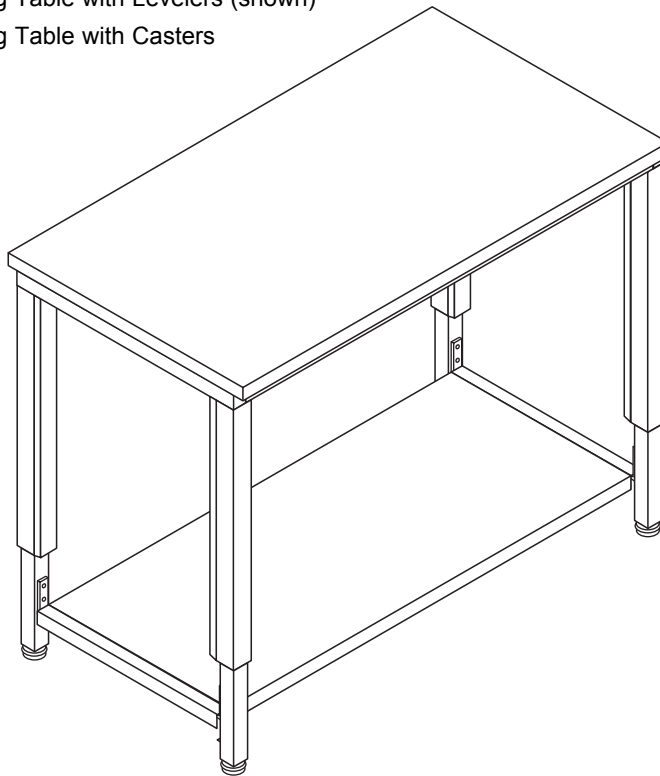
Materials Required (not included): Denatured

Alcohol
Rags

Parts List:

Compare the parts list on page 2 with the parts received with your unit.

QS Series Adjustable-leg Table with Levelers (shown)
QS Series Adjustable-leg Table with Casters



PARTS LIST

Item	Qty.	Description
1	1	Table Frame with Levelers
1	1	Table Frame with Casters
2	1	Epoxy Top
2	1	Chemsurf Top
3	1	Hardware Bag
4	1	Lower Shelf (Optional)

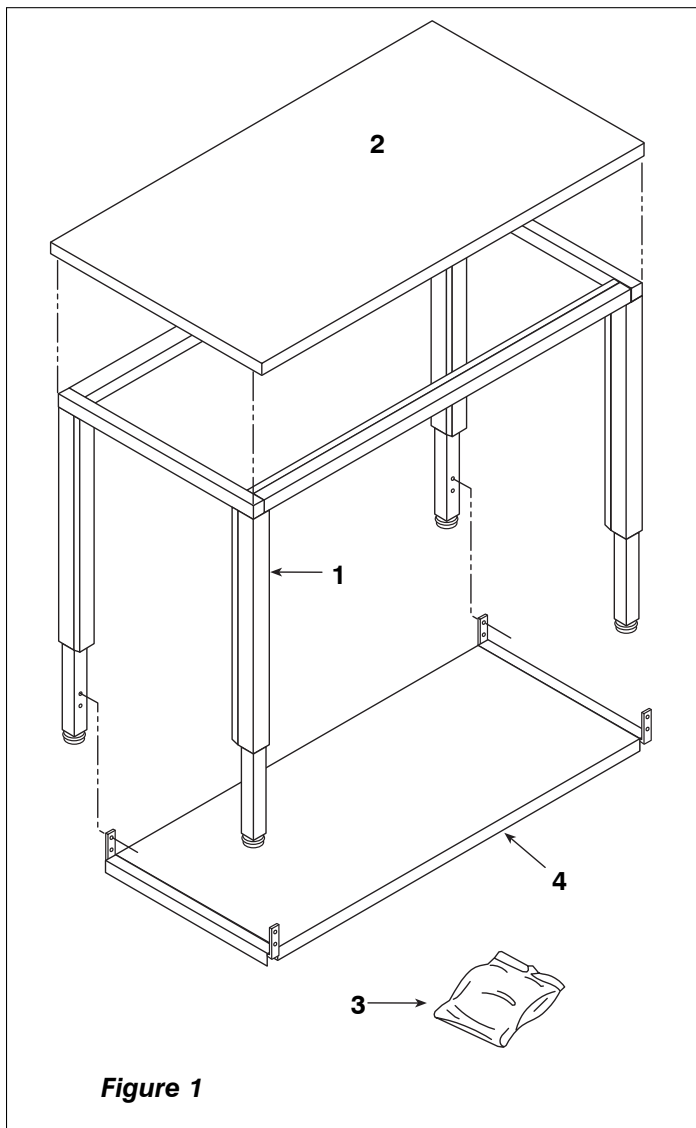


Figure 1

A – Attaching the Epoxy Top to the Table Frame Assembly

NOTE: For attaching Chemsurf tops see section-B.

(Refer to Fig. 2 and 3)

1. Locate the epoxy top (2) and lay it bottom side up on a clean level surface. Temporarily center the frame assembly (1) onto the top. (Fig. 2)

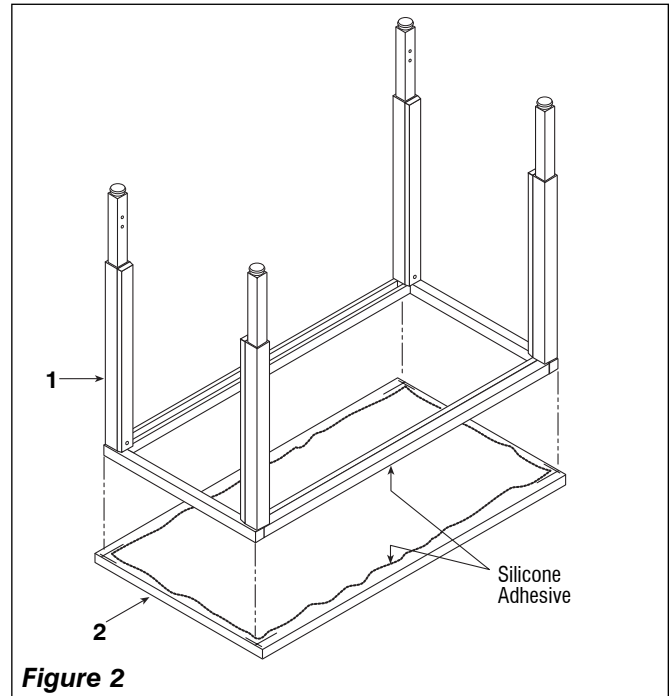


Figure 2

2. Make sure the frame assembly (1) is centered on the top (2) with an equal amount of overhang at the front and rear and on both ends. Mark guidelines on the under side of the top at the four corners with a pencil. (Fig. 2)
3. Remove the frame assembly. Clean the bottom of the epoxy top and the top edges of the frame assembly with the rag and alcohol.
4. Apply a bead of silicone adhesive to the top surfaces of the frame assembly. Center the frame assembly back onto the epoxy top using the guidelines made previously. Allow the assembly to dry over night. (Fig. 2)

B – Attaching the Chemsurf Top to the Frame Assembly

NOTE: Do NOT drill pilot holes deeper than 3/4" (Refer to Fig. 3 and 4)

1. Follow Steps-1 and 2 from Section-A.
2. Attach the rear of the table top by drilling 1/8" diameter pilot holes 3/4" deep into the table top (2). Use the holes in the rear table frame as guides. (Fig. 3)
3. Insert a No.10 x 1" pan head screw (4) through the predrilled holes in each end of the rear frame assembly (1) and into the table top pilot holes. (Fig. 3)

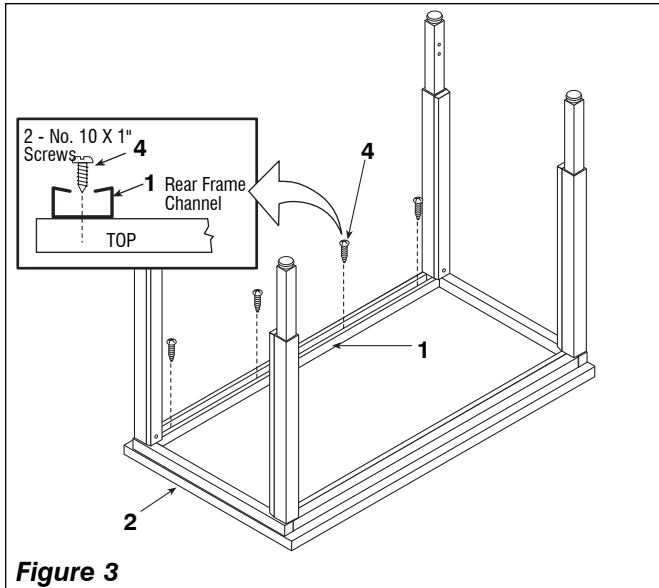


Figure 3

NOTE: two to four brackets may be required depending on table length

4. Locate the top anchor brackets (3) and No.10 x 1" screws (4). Equally space the brackets along the top and hook them over the "U" channel at the front of the table as shown in Figure 4.

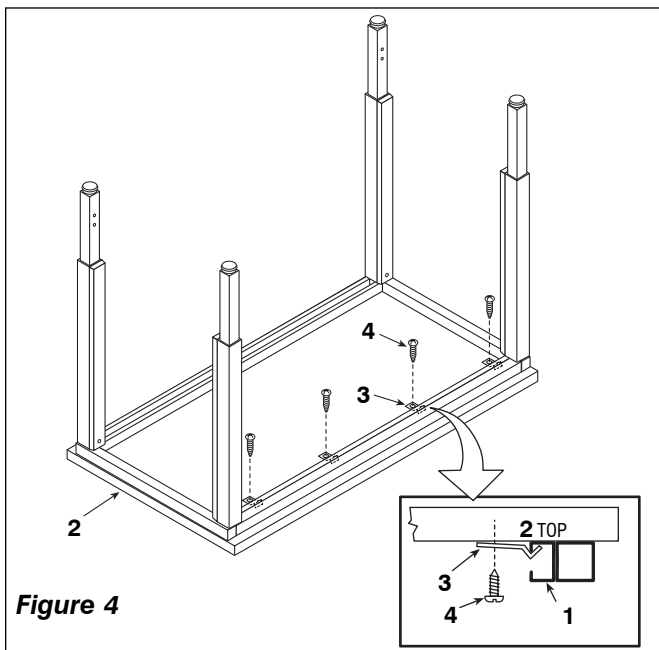


Figure 4

5. Using the holes in the brackets as guides, mark and drill 1/8" diameter pilot holes 3/4" deep into the table top.
6. Finish securing the top by hooking the top brackets (3) over the front frame "U" channel (1). (Fig. 4)
7. Insert the No. 10 x 1" screws (4) through the brackets and into the previously drilled pilot holes in the top (2). Tighten all screws securing the top. (Fig. 4)
8. Turn the table upright.

C – Adjusting the Table Legs - (Fine Adjustment)

(Refer to Fig. 5)

1. Set the table on a flat level surface.
2. Remove the leg adjustment cover screws (1) from the covers (2). (Fig. 5)

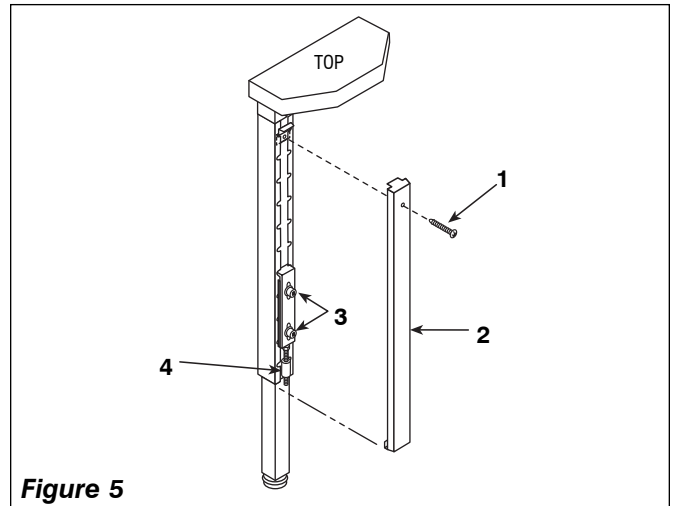


Figure 5

3. Slide the covers (2) downward disengaging the lower cover flanges from the upper leg assembly.
4. Locate the proper size allen head wrench and loosen the two socket head cap screws (3). (Fig. 5)
5. Select the proper size open end wrench and turn the fine adjustment bolt (4) to the desired height. (Fig. 5)

D – Adjusting the Table Legs - (Course Adjustment)

(Refer to Fig. 6)

1. See Section-C. Repeat Steps-1 thru 3.
2. With the proper allen head wrench, loosen the two socket head cap screws (3) until the top flange of the course adjustment bracket (5) can be disengaged from the slots in the upper leg assembly (1). (Fig. 6)

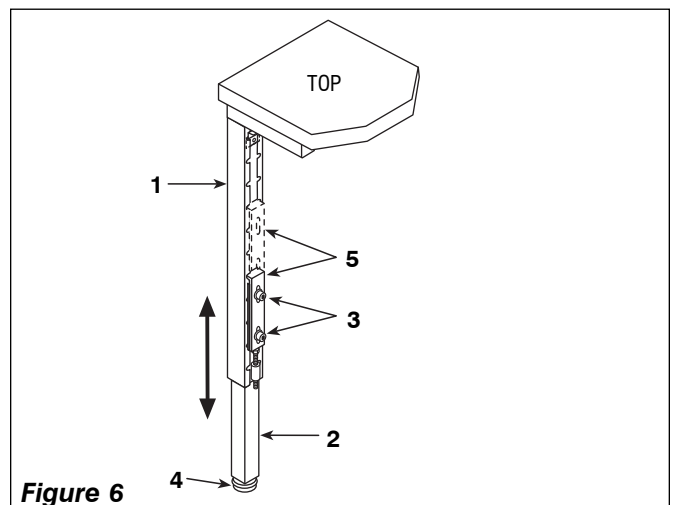


Figure 6

3. Slide the lower leg assembly (4) and the adjustment brackets (5) up or down to the desired slot in the upper leg assembly.
4. Tighten the two socket head cap screws (3) securing the lower leg assembly (2).
5. Repeat this procedure for the remaining three legs.
6. Make sure all bolts are tight. Replace the four leg adjustment covers (2) and screws (1). (Fig. 5)
7. Final leveling can be done by placing a level on the table top and adjusting the 4 lower leg levelers or casters. (Fig. 6)

E – Assembling and Installing the Optional Lower Shelf

NOTE: See Section-F for Tables with Casters

(Refer to Fig. 7 and 8)

1. Make sure table is setting on a flat level surface.
2. Begin assembly of the shelf by attaching the two end mounting stretcher brackets (1) to the shelf (2) using four 1/4 x 3/4" pan head bolts (3), lock washers (4) and nuts (5) at each end as illustrated. (Fig. 7)

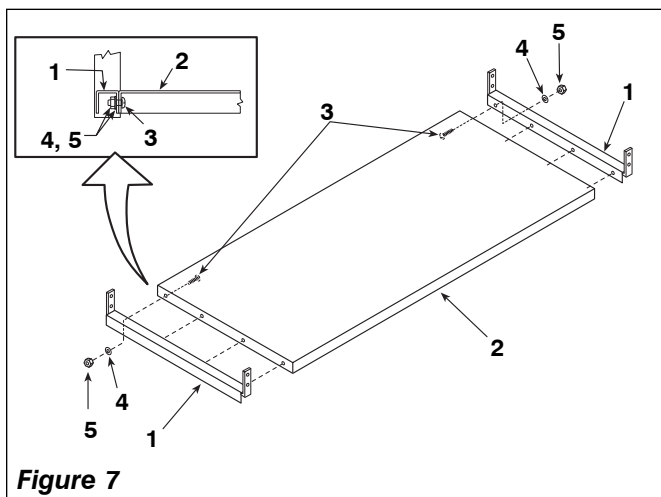


Figure 7

3. Measure six inches from the bottom of the lower leg assembly. Mark, center punch and drill a .199" diameter pilot hole (No.8 Drill) into the lower leg assembly (1) as shown. A 13/64" (.203 dia.) drill may be substituted for the No.8 drill bit if unavailable. (Fig. 8)
4. Measure up 1" from the previously drilled hole or measure seven inches from the bottom of the lower leg (1) and drill a second .199 diameter hole as shown in (Fig. 8)
5. Repeat this procedure for the remaining three legs.
6. Note, there should be approximately 4-1/2" clearance from the floor to the under side of the shelf at all four corners. (Fig. 8)
7. Slide the shelf assembly (2) between the legs and align the shelf stretcher bracket holes with the two .199" diameter pilot holes previously drilled into each leg. (Fig. 8)
8. Secure the shelf to each of the four lower leg assemblies using two No.14 x 1" pan head screws (3). (Fig. 8)

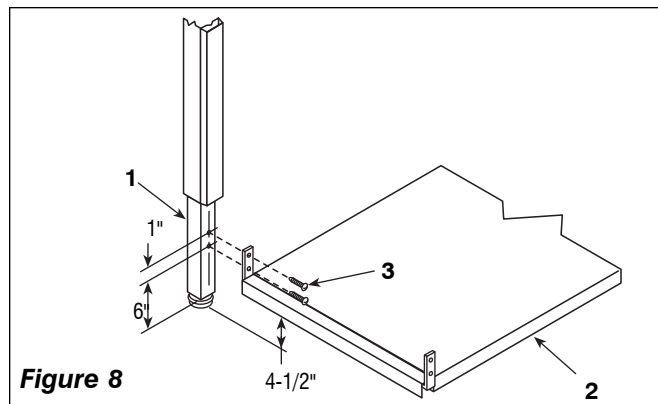


Figure 8

F – Assembling and Installing the Optional Lower Shelf

NOTE: Assembly for Tables with Casters

(Refer to Fig. 9)

1. See Section-E. Repeat Steps-1 and 2
2. Measure 2-7/16" from the bottom of the lower leg assembly. Center and drill a .199" diameter pilot hole (No. 8 Drill) into the lower leg assembly (1) as shown. A 13/64" (.203 dia.) drill may be substituted for the No.8 drill bit if one is not available. (Fig. 9)

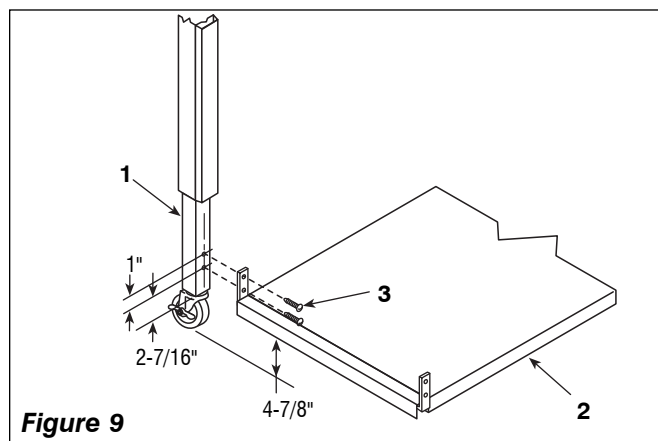


Figure 9

3. Measure up 1" from the previously drilled hole or measure 3-7/16" from the bottom of the lower leg assembly (1) and drill a second .199 diameter hole as illustrated. (Fig. 9)
4. Repeat this procedure for the remaining three legs.
5. Note, there should be approximately 4-7/8" clearance from the floor to the under side of the shelf at all four corners. (Fig. 9)
6. Slide the shelf assembly (2) between the legs and align the shelf stretcher bracket holes with the two .199" diameter pilot holes previously drilled into each leg. (Fig. 9)
7. Secure the shelf to each of the four lower leg assemblies using two No.14 x 1" pan head screws (3). (Fig. 9)
8. This completes assembly of the adjustable leg table.