



Test Report

No.: SHHL1608048771FT

Date: OCT. 24, 2016

Page: 1 of 19

HAMILTON LABORATORY SOLUTIONS
825 EAST ALBERT DRIVE, MANITOWOC, WI 54220

The following sample(s) was/were submitted and identified by the client as:

Sample Description : TABLE
Style/ Item No. : 60"W X 35"H X 23"D(±1")
1524mm x 889mm x 584.2mm(±25.4mm)
Manufacturer : HAMILTON LABORATORY SOLUTIONS
Supplier : HAMILTON LABORATORY SOLUTIONS
Country of Origin : CHINA
Country of Destination : USA, THE MIDDLE EAST, LATIN AMERICA, ASIA
Sample Receiving Date : AUG. 19, 2016
Testing Period : AUG. 19, 2016 TO OCT. 24, 2016
Test Performed : SELECTED TEST(S) AS REQUESTED BY APPLICANT
Test Requested : SEFA 8-M-2016 RECOMMENDED PRACTICES FOR
METAL LABORATORY FURNITURE, CASEWORK,
SHELVING AND TABLES
Test Result(s) : FOR FURTHER DETAILS, PLEASE REFER TO THE
FOLLOWING PAGE(S)
Conclusion : THE SUBMITTED SAMPLE MET THE TEST
REQUIREMENT.

Signed for and on behalf of
SGS-CSTC Standards Technical Services (Shanghai) Co., Ltd.

Melody Zhang
Authorized Signatory



Unless otherwise agreed in writing, this document is issued by the Company subject to its General Conditions of Service printed overleaf, available on request or accessible at <http://www.sgs.com/en/Terms-and-Conditions.aspx> and, for electronic format documents, subject to Terms and Conditions for Electronic Documents at <http://www.sgs.com/en/Terms-and-Conditions/Terms-e-Documents.aspx>. Attention is drawn to the limitation of liability, indemnification and jurisdiction issues defined therein. Any holder of this document is advised that information contained hereon reflects the Company's findings at the time of its intervention only and within the limits of Client's instructions, if any. The Company's sole responsibility is to its Client and this document does not exonerate parties to a transaction from exercising all their rights and obligations under the transaction documents. This document cannot be reproduced except in full, without prior written approval of the Company. Any unauthorized alteration, forgery or falsification of the content or appearance of this document is unlawful and offenders may be prosecuted to the fullest extent of the law. Unless otherwise stated the results shown in this test report refer only to the sample(s) tested and such sample(s) are retained for 30 days only.
Attention: To check the authenticity of testing / inspection report & certificate, please contact us at telephone: (86-755) 8307 1443, or email: CN.Doccheck@sgs.com
4th Building, No.889, Yishan Road, Xuhui District Shanghai, China 200233 t (86) 400 960 9661 f (86-21) 6115 6899 www.sgs.com.cn
中国·上海·徐汇区宜山路889号4号楼 邮编: 200233 t (86) 400 960 9661 f (86-21) 6115 6899 e sgs.china@sgs.com

Test Report

No.: SHHL1608048771FT

Date: OCT. 24, 2016

Page: 2 of 19

Test Conducted:

SEFA 8-M-2016 Recommended practices for metal laboratory furniture, casework, shelving and tables

Nos. of Specimen : 1pc.

Test Result : Pass. Details shown as following table

Clause	Test Items	Result	Note
4.0	Base cabinets	---	---
4.1	Description of test cabinet	N/A	# 1
4.2	Cabinet load test	N/A	# 1
4.3	Cabinet concentrated load test	N/A	# 1
4.4	Cabinet torsion	N/A	# 1
5.0	Doors	---	---
5.1	Door hinge test	N/A	# 1
5.2	Door impact test	N/A	# 1
5.3	Door cycle test	N/A	# 1
6.0	Drawers	---	---
6.1	Drawer static test	N/A	# 1
6.2	Drawer & door pull test	N/A	# 1
6.3	Drawer impact test	N/A	# 1
6.4	Drawer internal rolling impact	N/A	# 1
6.5	Drawer cycle test	N/A	# 1
7.0	Shelving	---	---
7.1	Description of test unit	---	---
7.2	Load test	N/A	# 1
8.0	Cabinet surface finish test	---	---
8.1	Chemical spot test	Pass	# 2
8.2	Hot water test	Pass	---
8.3	Impact test	Pass	---
8.4	Paint adhesion on steel	Pass	---
8.5	Paint hardness on steel	Pass	---
9.0	Wall mounted cabinets	---	---
9.1	Description of test cabinet	N/A	# 1
9.2	Load test	N/A	# 1



Unless otherwise agreed in writing, this document is issued by the Company subject to its General Conditions of Service printed overleaf, available on request or accessible at <http://www.sgs.com/en/Terms-and-Conditions.aspx> and, for electronic format documents, subject to Terms and Conditions for Electronic Documents at <http://www.sgs.com/en/Terms-and-Conditions/Terms-e-Documents.aspx>. Attention is drawn to the limitation of liability, indemnification and jurisdiction issues defined therein. Any holder of this document is advised that information contained hereon reflects the Company's findings at the time of its intervention only and within the limits of Client's instructions, if any. The Company's sole responsibility is to its Client and this document does not exonerate parties to a transaction from exercising all their rights and obligations under the transaction documents. This document cannot be reproduced except in full, without prior written approval of the Company. Any unauthorized alteration, forgery or falsification of the content or appearance of this document is unlawful and offenders may be prosecuted to the fullest extent of the law. Unless otherwise stated the results shown in this test report refer only to the sample(s) tested and such sample(s) are retained for 30 days only.
Attention: To check the authenticity of testing / inspection report & certificate, please contact us at telephone: (86-755) 8307 1443, or email: CN.Doccheck@sgs.com
 4th Building, No.889, Yishan Road, Xuhui District Shanghai, China 200233 t (86) 400 960 9661 f (86-21) 6115 6899 www.sgs.com.cn
 中国·上海·徐汇区宜山路889号4号楼 邮编: 200233 t (86) 400 960 9661 f (86-21) 6115 6899 e sgs.china@sgs.com

Test Report

No.: SHHL1608048771FT

Date: OCT. 24, 2016

Page: 3 of 19

10	Tables		---	---
10.1	Description of test unit		Pass	# 3
10.2	Load test		Pass	---
10.3	Table racking		Pass	---
Notes	:	# 1-	N/A means not applicable to this product design.	
		# 2-	Details see Clause 8.1.	
		# 3-	60in. L x 23in. D x 35in. H.	
		# 4-	Except for clause 10.1, all other test results were copied from SHHL1606031252FT.	



Unless otherwise agreed in writing, this document is issued by the Company subject to its General Conditions of Service printed overleaf, available on request or accessible at <http://www.sgs.com/en/Terms-and-Conditions.aspx> and, for electronic format documents, subject to Terms and Conditions for Electronic Documents at <http://www.sgs.com/en/Terms-and-Conditions/Terms-e-Documents.aspx>. Attention is drawn to the limitation of liability, indemnification and jurisdiction issues defined therein. Any holder of this document is advised that information contained hereon reflects the Company's findings at the time of its intervention only and within the limits of Client's instructions, if any. The Company's sole responsibility is to its Client and this document does not exonerate parties to a transaction from exercising all their rights and obligations under the transaction documents. This document cannot be reproduced except in full, without prior written approval of the Company. Any unauthorized alteration, forgery or falsification of the content or appearance of this document is unlawful and offenders may be prosecuted to the fullest extent of the law. Unless otherwise stated the results shown in this test report refer only to the sample(s) tested and such sample(s) are retained for 30 days only.
Attention: To check the authenticity of testing / inspection report & certificate, please contact us at telephone: (86-755) 8307 1443, or email: CN.Doccheck@sgs.com

SGS-CSTC (Shanghai) Technical Services Co., Ltd.
 Testing Center Harbin

4th Building, No.889, Yishan Road, Xuhui District Shanghai, China 200233
 中国·上海·徐汇区宜山路889号4号楼 邮编: 200233

t (86) 400 960 9661
 t (86) 400 960 9661

f (86-21) 6115 6899
 f (86-21) 6115 6899

www.sgsgroup.com.cn
sgs.china@sgs.com

Test Report

No.: SHHL1608048771FT

Date: OCT. 24, 2016

Page: 4 of 19

8.1 CHEMICAL SPOT TEST

Date Tested: Jul. 19, 2016

Condition of Test Sample: Production Samples

Description of Samples:

Part Description:

Material Submitted: /

Material Specification: SEFA 8-M-2016

Test Procedure:

Test Method:

SEFA 8M-2016, Sec 8.1

The received sample to be tested for chemical resistance as described herein: Place panel on flat surface, clean with soap (Liqui-Nox at 5% concentration) and water and blot dry. Condition the panel for 48-hours at 73±3°F (23±2°C) and 50 ± 5% relative humidity. Test the panel for chemical resistance using forty-nine (49) different chemical reagents by the following methods.

Method A:

Test volatile chemicals by placing a cotton ball saturated with reagent in the mouth of a 1-oz. (29.574cc) bottle and inverting the bottle on the surface of the panel. The cotton ball shall remain in contact with the sample for duration of the test.

Method B:

Test non-volatile chemicals by placing five drops of the reagent on the surface of the panel and covering with a 24 mm watch glass, convex side down. For both of the above methods, leave the reagents on the panel for a period of one hour. Wash off the panel with water, clean with detergent (Liqui-Nox at 5% concentration) and naphtha, and rinse with deionized water. Dry with a towel and evaluate after 24 hours at 73±3°F (23±2°C) and 50 ± 5% relative humidity using the following rating system.

Rating Scale:

Level 0	No detectable change.
Level 1	Slight change in color or gloss.
Level 2	Slight surface etching or severe



Unless otherwise agreed in writing, this document is issued by the Company subject to its General Conditions of Service printed overleaf, available on request or accessible at <http://www.sgs.com/en/Terms-and-Conditions.aspx> and, for electronic format documents, subject to Terms and Conditions for Electronic Documents at <http://www.sgs.com/en/Terms-and-Conditions/Terms-e-Documents.aspx>. Attention is drawn to the limitation of liability, indemnification and jurisdiction issues defined therein. Any holder of this document is advised that information contained hereon reflects the Company's findings at the time of its intervention only and within the limits of Client's instructions, if any. The Company's sole responsibility is to its Client and this document does not exonerate parties to a transaction from exercising all their rights and obligations under the transaction documents. This document cannot be reproduced except in full, without prior written approval of the Company. Any unauthorized alteration, forgery or falsification of the content or appearance of this document is unlawful and offenders may be prosecuted to the fullest extent of the law. Unless otherwise stated the results shown in this test report refer only to the sample(s) tested and such sample(s) are retained for 30 days only.
Attention: To check the authenticity of testing / inspection report & certificate, please contact us at telephone: (86-755) 8307 1443, or email: CN.Doccheck@sgs.com
 4th Building, No.889, Yishan Road, Xuhui District Shanghai, China 200233 t (86) 400 960 9661 f (86-21) 6115 6899 www.sgs.com.cn
 中国·上海·徐汇区宜山路889号4号楼 邮编: 200233 t (86) 400 960 9661 f (86-21) 6115 6899 e sgs.china@sgs.com

Test Report

No.: SHHL1608048771FT

Date: OCT. 24, 2016

Page: 5 of 19

Level 3

staining.
Pitting, cratering, swelling, or erosion of coating. Obvious and significant deterioration.

Number of Samples Tested: 1 shelf

Deviation:

Acceptance Criteria:

The Range of Results is provided to establish the acceptable range for Laboratory Grade Finish. Results will vary from manufacturer to manufacturer. Laboratory grade finishes should result in no more than four Level 3 conditions. Suitability for a given application is dependent upon the chemicals used in a give laboratory.

Results:

Test No.	Chemical	Method	Rating	Comments
1	Acetate, Amyl	A	0	/
2	Acetate, Ethyl	A	0	/
4	Acetone	A	1	/
6	Alcohol, Butyl	A	0	/
7	Alcohol, Ethyl	A	0	/
8	Alcohol, Methyl	A	0	/
10	Benzene	A	0	/
11	Carbon Tetrachloride	A	0	/
12	Chloroform	A	1	/
14	Cresol	A	1	/
15	Dichloroacetic Acid	A	3	/
16	Dimethylformamide	A	2	/
17	Dioxane	A	1	/
18	Ethyl Ether	A	1	/
19	Fomaldehyde, 37%	A	0	/
21	Furfural	A	3	/
22	Gasoline	A	0	/
27	Methyl Ethyl Ketone	A	1	/



Unless otherwise agreed in writing, this document is issued by the Company subject to its General Conditions of Service printed overleaf, available on request or accessible at <http://www.sgs.com/en/Terms-and-Conditions.aspx> and, for electronic format documents, subject to Terms and Conditions for Electronic Documents at <http://www.sgs.com/en/Terms-and-Conditions/Terms-e-Documents.aspx>. Attention is drawn to the limitation of liability, indemnification and jurisdiction issues defined therein. Any holder of this document is advised that information contained hereon reflects the Company's findings at the time of its intervention only and within the limits of Client's instructions, if any. The Company's sole responsibility is to its Client and this document does not exonerate parties to a transaction from exercising all their rights and obligations under the transaction documents. This document cannot be reproduced except in full, without prior written approval of the Company. Any unauthorized alteration, forgery or falsification of the content or appearance of this document is unlawful and offenders may be prosecuted to the fullest extent of the law. Unless otherwise stated the results shown in this test report refer only to the sample(s) tested and such sample(s) are retained for 30 days only.
Attention: To check the authenticity of testing / inspection report & certificate, please contact us at telephone: (86-755) 8307 1443, or email: CN.Doccheck@sgs.com
4th Building, No.889, Yishan Road, Xuhui District Shanghai, China 200233 t (86) 400 960 9661 f (86-21) 6115 6899 www.sgs.com.cn
中国·上海·徐汇区宜山路889号4号楼 邮编: 200233 t (86) 400 960 9661 f (86-21) 6115 6899 e sgs.china@sgs.com

Test Report

No.: SHHL1608048771FT

Date: OCT. 24, 2016

Page: 6 of 19

Test No.	Chemical	Method	Rating	Comments
28	Methylene Chloride	A	1	/
29	Mono Chlorobenzene	A	0	/
30	Naphthalene	A	0	/
34	Phenol, 90%	A	0	/
46	Toluene	A	0	/
47	Trichloroethylene	A	0	/
48	Xylene	A	0	/

Test No.	Chemical	Method	Rating	Comments
3	Acetic Acid, 98%	B	1	/
5	Acid Dichromate, 5%	B	0	/
9	Ammonium Hydroxide, 28%	B	0	/
13	Chromic Acid, 60%	B	2	/
20	Formic Acid, 90%	B	2	/
23	Hydrochloric Acid, 37%	B	0	/
24	Hydrofluoric Acid, 48%	B	1	/
25	Hydrogen Peroxide, 30%	B	0	/
26	Iodine, Tincture of	B	0	/
31	Nitric Acid, 20%	B	0	/
32	Nitric Acid, 30%	B	0	/
33	Nitric Acid, 70%	B	2	/
35	Phosphoric Acid, 85%	B	0	/
36	Silver Nitrate, Saturated	B	1	/
37	Sodium Hydroxide, 10%	B	0	/
38	Sodium Hydroxide, 20%	B	0	/
39	Sodium Hydroxide, 40%	B	0	/



Unless otherwise agreed in writing, this document is issued by the Company subject to its General Conditions of Service printed overleaf, available on request or accessible at <http://www.sgs.com/en/Terms-and-Conditions.aspx> and, for electronic format documents, subject to Terms and Conditions for Electronic Documents at <http://www.sgs.com/en/Terms-and-Conditions/Terms-e-Documents.aspx>. Attention is drawn to the limitation of liability, indemnification and jurisdiction issues defined therein. Any holder of this document is advised that information contained hereon reflects the Company's findings at the time of its intervention only and within the limits of Client's instructions, if any. The Company's sole responsibility is to its Client and this document does not exonerate parties to a transaction from exercising all their rights and obligations under the transaction documents. This document cannot be reproduced except in full, without prior written approval of the Company. Any unauthorized alteration, forgery or falsification of the content or appearance of this document is unlawful and offenders may be prosecuted to the fullest extent of the law. Unless otherwise stated the results shown in this test report refer only to the sample(s) tested and such sample(s) are retained for 30 days only.

Attention: To check the authenticity of testing / inspection report & certificate, please contact us at telephone: (86-755) 8307 1443, or email: CN.Doccheck@sgs.com

SGS-CSTC (Shanghai) Technical Services (Shanghai) Co., Ltd. 4th Building, No.889, Yishan Road, Xuhui District Shanghai, China 200233 t (86) 400 960 9661 f (86-21) 6115 6899 www.sgs.com.cn
 中国·上海·徐汇区宜山路889号4号楼 邮编: 200233 t (86) 400 960 9661 f (86-21) 6115 6899 e sgs.china@sgs.com

Test Report

No.: SHHL1608048771FT

Date: OCT. 24, 2016

Page: 7 of 19

Test No.	Chemical	Method	Rating	Comments
40	Sodium Hydroxide, Flake	B	0	/
41	Sodium Sulfide, Saturated	B	0	/
42	Sulfuric Acid, 33%	B	0	/
43	Sulfuric Acid 77%	B	0	/
44	Sulfuric Acid, 96%	B	3	/
45	Sulfuric Acid, (77%) and Nitric Acid (70%), equal parts	B	0	/
49	Zinc Chloride, Saturated	B	0	/

Totals			
Items	Requirement	No. Reagent with 3 Ratings	Disposition
Volatile Subtotal:	-	2	---
Non-volatile Subtotal:	-	1	---
Grand Totals:	No More than Four Level 3 Conditions	3	*

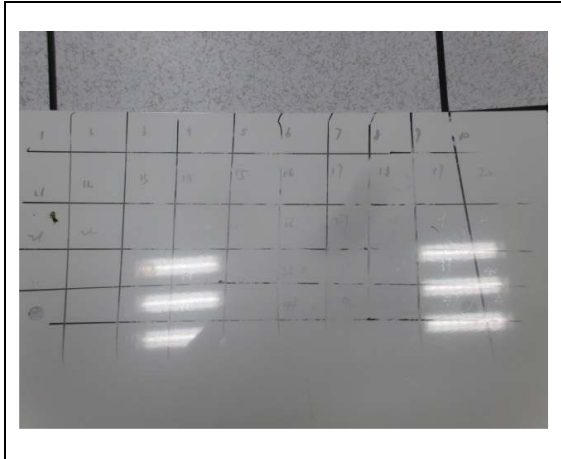


Unless otherwise agreed in writing, this document is issued by the Company subject to its General Conditions of Service printed overleaf, available on request or accessible at <http://www.sgs.com/en/Terms-and-Conditions.aspx> and, for electronic format documents, subject to Terms and Conditions for Electronic Documents at <http://www.sgs.com/en/Terms-and-Conditions/Terms-e-Documents.aspx>. Attention is drawn to the limitation of liability, indemnification and jurisdiction issues defined therein. Any holder of this document is advised that information contained hereon reflects the Company's findings at the time of its intervention only and within the limits of Client's instructions, if any. The Company's sole responsibility is to its Client and this document does not exonerate parties to a transaction from exercising all their rights and obligations under the transaction documents. This document cannot be reproduced except in full, without prior written approval of the Company. Any unauthorized alteration, forgery or falsification of the content or appearance of this document is unlawful and offenders may be prosecuted to the fullest extent of the law. Unless otherwise stated the results shown in this test report refer only to the sample(s) tested and such sample(s) are retained for 30 days only.

Attention: To check the authenticity of testing / inspection report & certificate, please contact us at telephone: (86-755) 8307 1443, or email: CN.Doccheck@sgs.com

SGS-CSTC Shanghai Technical Services (Group) Co., Ltd. 4th Building, No.889, Yishan Road, Xuhui District Shanghai, China 200233 t (86) 400 960 9661 f (86-21) 6115 6899 www.sgsgroup.com.cn
 中国·上海·徐汇区宜山路889号4号楼 邮编: 200233 t (86) 400 960 9661 f (86-21) 6115 6899 e sgs.china@sgs.com

Chemical Spot Test Panel after Exposure



21



15



44



Unless otherwise agreed in writing, this document is issued by the Company subject to its General Conditions of Service printed overleaf, available on request or accessible at <http://www.sgs.com/en/Terms-and-Conditions.aspx> and, for electronic format documents, subject to Terms and Conditions for Electronic Documents at <http://www.sgs.com/en/Terms-and-Conditions/Terms-e-Documents.aspx>. Attention is drawn to the limitation of liability, indemnification and jurisdiction issues defined therein. Any holder of this document is advised that information contained hereon reflects the Company's findings at the time of its intervention only and within the limits of Client's instructions, if any. The Company's sole responsibility is to its Client and this document does not exonerate parties to a transaction from exercising all their rights and obligations under the transaction documents. This document cannot be reproduced except in full, without prior written approval of the Company. Any unauthorized alteration, forgery or falsification of the content or appearance of this document is unlawful and offenders may be prosecuted to the fullest extent of the law. Unless otherwise stated the results shown in this test report refer only to the sample(s) tested and such sample(s) are retained for 30 days only.

Attention: To check the authenticity of testing / inspection report & certificate, please contact us at telephone: (86-755) 8307 1443, or email: CN.Doccheck@sgs.com

4th Building, No.889, Yishan Road, Xuhui District Shanghai, China 200233 t (86) 400 960 9661 f (86-21) 6115 6899 www.sgsgroup.com.cn
 中国·上海·徐汇区宜山路889号4号楼 邮编: 200233 t (86) 400 960 9661 f (86-21) 6115 6899 e sgs.china@sgs.com

Test Report

No.: SHHL1608048771FT

Date: OCT. 24, 2016

Page: 9 of 19

8.2 HOT WATER TEST PROCEDURE:

Date Received: Jun. 20, 2016

Dates Tested: Jul. 19, 2016

Description of Samples:

Part Description: /
 Material Submitted: /
 Material Specification: SEFA-8M-2016
 Condition of Test Sample: Production

Test Procedure:

Test Method: SEFA-8M-2016, Sec 8.2
 Procedure: Hot water (100 ±3°C) shall be allowed to trickle (with a steady stream and at a rate of not less than 6 ounces [177.44cc] per minute) on the finished surface, which shall be set at an angle of 45-degrees, for a period of five minutes.

Number of Specimens Tested: One (1)

Acceptance Criteria:

After cooling and wiping dry, the finish shall show no visible effect from the hot water.

Results:

Specimen	Visible Effects From Hot Water	Disposition
1	None	Pass

Hot water test



Unless otherwise agreed in writing, this document is issued by the Company subject to its General Conditions of Service printed overleaf, available on request or accessible at <http://www.sgs.com/en/Terms-and-Conditions.aspx> and, for electronic format documents, subject to Terms and Conditions for Electronic Documents at <http://www.sgs.com/en/Terms-and-Conditions/Terms-e-Documents.aspx>. Attention is drawn to the limitation of liability, indemnification and jurisdiction issues defined therein. Any holder of this document is advised that information contained hereon reflects the Company's findings at the time of its intervention only and within the limits of Client's instructions, if any. The Company's sole responsibility is to its Client and this document does not exonerate parties to a transaction from exercising all their rights and obligations under the transaction documents. This document cannot be reproduced except in full, without prior written approval of the Company. Any unauthorized alteration, forgery or falsification of the content or appearance of this document is unlawful and offenders may be prosecuted to the fullest extent of the law. Unless otherwise stated the results shown in this test report refer only to the sample(s) tested and such sample(s) are retained for 30 days only.

Attention: To check the authenticity of testing / inspection report & certificate, please contact us at telephone: (86-755) 8307 1443, or email: CN.Doccheck@sgs.com
 4th Building, No.889, Yishan Road, Xuhui District Shanghai, China 200233 t (86) 400 960 9661 f (86-21) 6115 6899 www.sgs.com.cn
 中国·上海·徐汇区宜山路889号4号楼 邮编: 200233 t (86) 400 960 9661 f (86-21) 6115 6899 e sgs.china@sgs.com

Test Report

No.: SHHL1608048771FT

Date: OCT. 24, 2016 Page: 10 of 19

8.3 FINISH IMPACT TEST PROCEDURE:

Date Received: Jun. 20, 2016

Dates Tested: Jul. 19, 2016

Description of Samples:

Part Description: Plus Series - Drawer

Material Submitted: One (1) Painted Metal Panel

Material Specification: SEFA 8M-2016

Condition of Test Sample: Production

Test Procedure:

Test Method: SEFA 8M-2016, Sec 8.3

Procedure: Position the panel on a smooth concrete floor. A one-pound ball (approximately 2" [50.8mm] in diameter) shall be dropped from a distance of 12" (304.8 mm) onto a flat horizontal surface.

Number of Specimens Tested: One (1)

Acceptance Criteria:

There shall be no visual evidence to the naked eye of cracks or checks in the finish due to impact.

Results:

Specimen	Cracks or Checks in Finish	Disposition
1	None	Pass

Finish impact test



Unless otherwise agreed in writing, this document is issued by the Company subject to its General Conditions of Service printed overleaf, available on request or accessible at <http://www.sgs.com/en/Terms-and-Conditions.aspx> and, for electronic format documents, subject to Terms and Conditions for Electronic Documents at <http://www.sgs.com/en/Terms-and-Conditions/Terms-e-Documents.aspx>. Attention is drawn to the limitation of liability, indemnification and jurisdiction issues defined therein. Any holder of this document is advised that information contained hereon reflects the Company's findings at the time of its intervention only and within the limits of Client's instructions, if any. The Company's sole responsibility is to its Client and this document does not exonerate parties to a transaction from exercising all their rights and obligations under the transaction documents. This document cannot be reproduced except in full, without prior written approval of the Company. Any unauthorized alteration, forgery or falsification of the content or appearance of this document is unlawful and offenders may be prosecuted to the fullest extent of the law. Unless otherwise stated the results shown in this test report refer only to the sample(s) tested and such sample(s) are retained for 30 days only.

Attention: To check the authenticity of testing / inspection report & certificate, please contact us at telephone: (86-755) 8307 1443, or email: CN.Doccheck@sgs.com
 4th Building, No.889, Yishan Road, Xuhui District Shanghai, China 200233 t (86) 400 960 9661 f (86-21) 6115 6899 www.sgs.com.cn
 中国·上海·徐汇区宜山路889号4号楼 邮编: 200233 t (86) 400 960 9661 f (86-21) 6115 6899 e sgs.china@sgs.com



Test Report

No.: SHHL1608048771FT

Date: OCT. 24, 2016 Page: 11 of 19

8.4 PAINT ADHESION ON STEEL PROCEDURE:

Date Received: Jun. 20, 2016

Dates Tested: Aug. 08, 2016

Description of Samples:

Material Specification: SEFA 8M-2016

Condition of Test Sample: Production

Test Procedure:

Test Method: SEFA 8M-2016, Sec 8.4: ASTM D3359-02, Method B, Cross-Cut Tape Test

Procedure: Two sets of six parallel lines 2 mm apart shall be cut with a razor blade to intersect at right angles thus forming a grid of 25 squares. The cuts shall be made just deep enough to go through the coating, but not into the substrate. They shall then be brushed lightly with a soft brush then place a piece of tape over the grid. Rub the tape firmly with the eraser of a pencil to ensure good contact. Remove the tape by rapidly pulling it back upon itself as close to an angle of 180° as possible.

Tape: SEMicro's CHT

Number of Specimens Tested: One (1) Panel

Acceptance Criteria:

A 4B rating or better (ninety five percent or more of the grid area shall show finish intact.)

Results:

Specimen	Tape Rating	% of Intact Squares	Disposition
1	5B	/	Pass

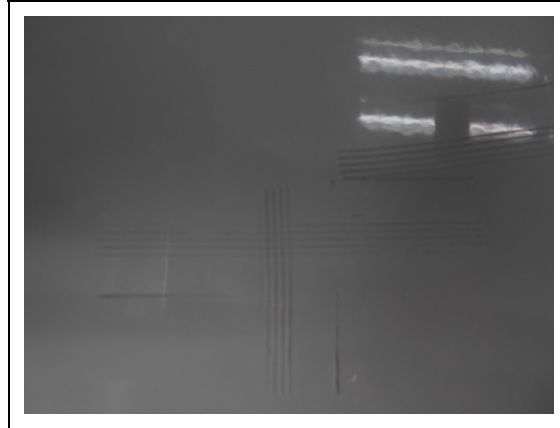


Unless otherwise agreed in writing, this document is issued by the Company subject to its General Conditions of Service printed overleaf, available on request or accessible at <http://www.sgs.com/en/Terms-and-Conditions.aspx> and, for electronic format documents, subject to Terms and Conditions for Electronic Documents at <http://www.sgs.com/en/Terms-and-Conditions/Terms-e-Documents.aspx>. Attention is drawn to the limitation of liability, indemnification and jurisdiction issues defined therein. Any holder of this document is advised that information contained hereon reflects the Company's findings at the time of its intervention only and within the limits of Client's instructions, if any. The Company's sole responsibility is to its Client and this document does not exonerate parties to a transaction from exercising all their rights and obligations under the transaction documents. This document cannot be reproduced except in full, without prior written approval of the Company. Any unauthorized alteration, forgery or falsification of the content or appearance of this document is unlawful and offenders may be prosecuted to the fullest extent of the law. Unless otherwise stated the results shown in this test report refer only to the sample(s) tested and such sample(s) are retained for 30 days only.

Attention: To check the authenticity of testing / inspection report & certificate, please contact us at telephone: (86-755) 8307 1443, or email: CN.Doccheck@sgs.com

4th Building, No.889, Yishan Road, Xuhui District Shanghai, China 200233 t (86) 400 960 9661 f (86-21) 6115 6899 www.sgs.com.cn
 中国·上海·徐汇区宜山路889号4号楼 邮编: 200233 t (86) 400 960 9661 f (86-21) 6115 6899 e sgs.china@sgs.com

Paint Adhesion on Steel Test



Unless otherwise agreed in writing, this document is issued by the Company subject to its General Conditions of Service printed overleaf, available on request or accessible at <http://www.sgs.com/en/Terms-and-Conditions.aspx> and, for electronic format documents, subject to Terms and Conditions for Electronic Documents at <http://www.sgs.com/en/Terms-and-Conditions/Terms-e-Documents.aspx>. Attention is drawn to the limitation of liability, indemnification and jurisdiction issues defined therein. Any holder of this document is advised that information contained hereon reflects the Company's findings at the time of its intervention only and within the limits of Client's instructions, if any. The Company's sole responsibility is to its Client and this document does not exonerate parties to a transaction from exercising all their rights and obligations under the transaction documents. This document cannot be reproduced except in full, without prior written approval of the Company. Any unauthorized alteration, forgery or falsification of the content or appearance of this document is unlawful and offenders may be prosecuted to the fullest extent of the law. Unless otherwise stated the results shown in this test report refer only to the sample(s) tested and such sample(s) are retained for 30 days only.

Attention: To check the authenticity of testing / inspection report & certificate, please contact us at telephone: (86-755) 8307 1443, or email: CN.Doccheck@sgs.com

SGS-CSTC (Shanghai) Technical Services (Shanghai) Co., Ltd.
Testing Center Harbin

4th Building, No.889, Yishan Road, Xuhui District Shanghai, China 200233 t (86) 400 960 9661 f (86-21) 6115 6899 www.sgs.com.cn
中国·上海·徐汇区宜山路889号4号楼 邮编: 200233 t (86) 400 960 9661 f (86-21) 6115 6899 e sgs.china@sgs.com

Test Report

No.: SHHL1608048771FT

Date: OCT. 24, 2016 Page: 13 of 19

8.5 PAINT HARDNESS ON STEEL PROCEDURE:

Date Received: Jun. 20, 2016

Dates Tested: Jul. 19, 2016

Description of Samples:

Material Specification: SEFA 8M-2016

Condition of Test Sample: Production

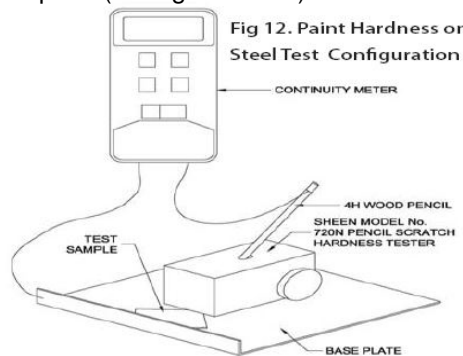
Test Procedure:

Test Method:

SEFA 8M-2016, Sec 8.5; ASTM D3363-05

Procedure:

Clip a corner of the sample at 45° exposing a raw metal edge. Place the sample on a raw metal base plate so that the exposed metal edge of the sample makes contact with the turned up side of the base plate (see figure below)



Remove approximately 6 mm of wood from a 4H pencil, being careful to leave an undisturbed smooth cylinder of lead. Holding the pencil at an angle of 90° to an abrasive paper, rub the lead against the paper marinating an exact angle of 90° until a flat smooth and circular cross section is obtained. On the other end the pencil remove approximately 13 mm of wood from one half of the pencil (see figure above).

Install the pencil into a Sheen model 720N Pencil Scratch Hardness Tester. Connect a continuity meter to the base plate and to the top of the pencil, being sure to make good contact with the exposed portion of the lead.



Unless otherwise agreed in writing, this document is issued by the Company subject to its General Conditions of Service printed overleaf, available on request or accessible at <http://www.sgs.com/en/Terms-and-Conditions.aspx> and, for electronic format documents, subject to Terms and Conditions for Electronic Documents at <http://www.sgs.com/en/Terms-and-Conditions/Terms-e-Documents.aspx>. Attention is drawn to the limitation of liability, indemnification and jurisdiction issues defined therein. Any holder of this document is advised that information contained hereon reflects the Company's findings at the time of its intervention only and within the limits of Client's instructions, if any. The Company's sole responsibility is to its Client and this document does not exonerate parties to a transaction from exercising all their rights and obligations under the transaction documents. This document cannot be reproduced except in full, without prior written approval of the Company. Any unauthorized alteration, forgery or falsification of the content or appearance of this document is unlawful and offenders may be prosecuted to the fullest extent of the law. Unless otherwise stated the results shown in this test report refer only to the sample(s) tested and such sample(s) are retained for 30 days only.

Attention: To check the authenticity of testing / inspection report & certificate, please contact us at telephone: (86-755) 8307 1443, or email: CN.Doccheck@sgs.com

SGS-CSTC (Shanghai) Technical Services Co., Ltd.
Testing Center Harbin

4th Building, No.889, Yishan Road, Xuhui District Shanghai, China 200233
中国·上海·徐汇区宜山路889号4号楼 邮编: 200233

t (86) 400 960 9661
t (86) 400 960 9661

f (86-21) 6115 6899
f (86-21) 6115 6899

www.sgs.com
www.sgs.com
www.sgs.com

Test Report

No.: SHHL1608048771FT

Date: OCT. 24, 2016 Page: 14 of 19

Following the manufactures instructions place the tester on the surface of the test sample and push it forward approximately 13 mm. Rotate the pencil 90° in the holder and repeat the test to one side of the first test. Repeat this two more times for a total of four tests, each with a different quadrant of the pencil lead.

Pencils used: Berol Turquoise

Number of Specimens Tested: One (1) Panel

Acceptance Criteria:

The paint finish shall withstand the abrasion of a 4H pencil without penetrating through to the substrate and completing a continuous circuit.

Results:

Specimen	Pencil Hardness	Pencil Penetrating to Substrate	Completing a Continuous Circuit	Disposition
1	4H	None	None	Pass

Paint Hardness on Steel Test Set-up



Unless otherwise agreed in writing, this document is issued by the Company subject to its General Conditions of Service printed overleaf, available on request or accessible at <http://www.sgs.com/en/Terms-and-Conditions.aspx> and, for electronic format documents, subject to Terms and Conditions for Electronic Documents at <http://www.sgs.com/en/Terms-and-Conditions/Terms-e-Documents.aspx>. Attention is drawn to the limitation of liability, indemnification and jurisdiction issues defined therein. Any holder of this document is advised that information contained hereon reflects the Company's findings at the time of its intervention only and within the limits of Client's instructions, if any. The Company's sole responsibility is to its Client and this document does not exonerate parties to a transaction from exercising all their rights and obligations under the transaction documents. This document cannot be reproduced except in full, without prior written approval of the Company. Any unauthorized alteration, forgery or falsification of the content or appearance of this document is unlawful and offenders may be prosecuted to the fullest extent of the law. Unless otherwise stated the results shown in this test report refer only to the sample(s) tested and such sample(s) are retained for 30 days only.
 Attention: To check the authenticity of testing / inspection report & certificate, please contact us at telephone: (86-755) 8307 1443, or email: CN.Doccheck@sgs.com
 4th Building, No.889, Yishan Road, Xuhui District Shanghai, China 200233 t (86) 400 960 9661 f (86-21) 6115 6899 www.sgs.com.cn
 中国·上海·徐汇区宜山路889号4号楼 邮编: 200233 t (86) 400 960 9661 f (86-21) 6115 6899 e sgs.china@sgs.com

Test Report

No.: SHHL1608048771FT

Date: OCT. 24, 2016 Page: 15 of 19

10.2 TABLE STATIC LOAD TEST:

Dates Tested: Jun. 30, 2016

Product Condition: New

Description of Samples:

Tubular square table frame , 58in. L x 21-1/2in. D x 35in. H

10.2.2 Test Procedure:

Test Method:

Verify that the Table is level. Load the Table top by using solid steel bars (per Section #3.1) stacked evenly and spaced. (Weight of the top is included in the total load)

Free Standing Table Load:

600 lb (272.155 kg)

Dimensions of Product:

58"W x 21-1/2"D x 35"H

Number of Samples Tested:

One (1)

10.2.3 Acceptance Level:

No structural breakage shall result from application of the load. With the full load, the apron rails shall not deflect more than 1/360 of the span of the table and not to exceed 1/8" (3.175 mm).

Results:

Pass. (There was no structural damage to the unit. The sample meets the acceptance criteria. Refer to the following page for photograph.)

Table Static Load



Unless otherwise agreed in writing, this document is issued by the Company subject to its General Conditions of Service printed overleaf, available on request or accessible at <http://www.sgs.com/en/Terms-and-Conditions.aspx> and, for electronic format documents, subject to Terms and Conditions for Electronic Documents at <http://www.sgs.com/en/Terms-and-Conditions/Terms-e-Documents.aspx>. Attention is drawn to the limitation of liability, indemnification and jurisdiction issues defined therein. Any holder of this document is advised that information contained hereon reflects the Company's findings at the time of its intervention only and within the limits of Client's instructions, if any. The Company's sole responsibility is to its Client and this document does not exonerate parties to a transaction from exercising all their rights and obligations under the transaction documents. This document cannot be reproduced except in full, without prior written approval of the Company. Any unauthorized alteration, forgery or falsification of the content or appearance of this document is unlawful and offenders may be prosecuted to the fullest extent of the law. Unless otherwise stated the results shown in this test report refer only to the sample(s) tested and such sample(s) are retained for 30 days only.

Attention: To check the authenticity of testing / inspection report & certificate, please contact us at telephone: (86-755) 8307 1443, or email: CN.Doccheck@sgs.com

SGS-CSTC Shanghai Technical Services (Shanghai) Co., Ltd.
Testing Center Harbin

4th Building, No.889, Yishan Road, Xuhui District Shanghai, China 200233
中国·上海·徐汇区宜山路889号4号楼 邮编: 200233

t (86) 400 960 9661
t (86) 400 960 9661

f (86-21) 6115 6899
f (86-21) 6115 6899

www.sgs.com
sgs.china@sgs.com

Test Report

No.: SHHL1608048771FT

Date: OCT. 24, 2016 Page: 16 of 19

10.3.2 Test Procedure:

Test Method

Racking Angle: 45 Degrees

Time Under Test: 30 minutes

Number of Samples Tested: One (1)

10.3.3 Acceptance Criteria:

Model Number	Description of Sample
950S3660	Table

There shall be no structural damage to end panels, legs, or bases. The operation of the table shall be normal.

Results:

Pass. The sample meets the acceptance criteria. Refer to the following page for photograph

Table Racking



Unless otherwise agreed in writing, this document is issued by the Company subject to its General Conditions of Service printed overleaf, available on request or accessible at <http://www.sgs.com/en/Terms-and-Conditions.aspx> and, for electronic format documents, subject to Terms and Conditions for Electronic Documents at <http://www.sgs.com/en/Terms-and-Conditions/Terms-e-Documents.aspx>. Attention is drawn to the limitation of liability, indemnification and jurisdiction issues defined therein. Any holder of this document is advised that information contained hereon reflects the Company's findings at the time of its intervention only and within the limits of Client's instructions, if any. The Company's sole responsibility is to its Client and this document does not exonerate parties to a transaction from exercising all their rights and obligations under the transaction documents. This document cannot be reproduced except in full, without prior written approval of the Company. Any unauthorized alteration, forgery or falsification of the content or appearance of this document is unlawful and offenders may be prosecuted to the fullest extent of the law. Unless otherwise stated the results shown in this test report refer only to the sample(s) tested and such sample(s) are retained for 30 days only.

Attention: To check the authenticity of testing / inspection report & certificate, please contact us at telephone: (86-755) 8307 1443, or email: CN.Doccheck@sgs.com

SGS-CTC (Shanghai) Technical Services Co., Ltd.
Testing Center Harbin

4th Building, No.889, Yishan Road, Xuhui District Shanghai, China 200233
中国·上海·徐汇区宜山路889号4号楼 邮编: 200233

t (86) 400 960 9661
t (86) 400 960 9661

f (86-21) 6115 6899
f (86-21) 6115 6899

www.sgs.com
sgs.china@sgs.com

CERTIFICATE OF SEFA COMPLIANCE

SGS SH lab certifies that it has performed testing as specified in **SEFA 8M-2016 Recommended Practices** on the laboratory grade furniture produced by Hamilton Laboratory Solutions on Oct. 24, 2016 obtaining the results below. Full documentation of the test results is available upon request in a bound report that includes a detailed description of the test unit and procedures, witnesses results and appropriate drawings or photographs of the test unit and procedures.

SEFA 8-M-2016 Recommended practices for metal laboratory furniture, casework, shelving and tables

Nos. of Specimen : 1pc.

Test Result : Pass. Details shown as following table

Clause	Test Items	Result	Note
4.0	Base cabinets	---	---
4.1	Description of test cabinet	N/A	# 1
4.2	Cabinet load test	N/A	# 1
4.3	Cabinet concentrated load test	N/A	# 1
4.4	Cabinet torsion	N/A	# 1
5.0	Doors	---	---
5.1	Door hinge test	N/A	# 1
5.2	Door impact test	N/A	# 1
5.3	Door cycle test	N/A	# 1
6.0	Drawers	---	---
6.1	Drawer static test	N/A	# 1
6.2	Drawer & door pull test	N/A	# 1
6.3	Drawer impact test	N/A	# 1
6.4	Drawer internal rolling impact	N/A	# 1
6.5	Drawer cycle test	N/A	# 1
7.0	Shelving	---	---
7.1	Description of test unit	---	---
7.2	Load test	N/A	# 1
8.0	Cabinet surface finish test	---	---



Unless otherwise agreed in writing, this document is issued by the Company subject to its General Conditions of Service printed overleaf, available on request or accessible at <http://www.sgs.com/en/Terms-and-Conditions.aspx> and, for electronic format documents, subject to Terms and Conditions for Electronic Documents at <http://www.sgs.com/en/Terms-and-Conditions/Terms-e-Documents.aspx>. Attention is drawn to the limitation of liability, indemnification and jurisdiction issues defined therein. Any holder of this document is advised that information contained hereon reflects the Company's findings at the time of its intervention only and within the limits of Client's instructions, if any. The Company's sole responsibility is to its Client and this document does not exonerate parties to a transaction from exercising all their rights and obligations under the transaction documents. This document cannot be reproduced except in full, without prior written approval of the Company. Any unauthorized alteration, forgery or falsification of the content or appearance of this document is unlawful and offenders may be prosecuted to the fullest extent of the law. Unless otherwise stated the results shown in this test report refer only to the sample(s) tested and such sample(s) are retained for 30 days only.
 Attention: To check the authenticity of testing / inspection report & certificate, please contact us at telephone: (86-755) 8307 1443, or email: CN.Doccheck@sgs.com
 4th Building, No.889, Yishan Road, Xuhui District Shanghai, China 200233 t (86) 400 960 9661 f (86-21) 6115 6899 www.sgs.com.cn
 中国·上海·徐汇区宜山路889号4号楼 邮编: 200233 t (86) 400 960 9661 f (86-21) 6115 6899 e sgs.china@sgs.com

Test Report

No.: SHHL1608048771FT

Date: OCT. 24, 2016

Page: 18 of 19

8.1	Chemical spot test	Pass	# 2
8.2	Hot water test	Pass	---
8.3	Impact test	Pass	---
8.4	Paint adhesion on steel	Pass	---
8.5	Paint hardness on steel	Pass	---
9.0	Wall mounted cabinets	---	---
9.1	Description of test cabinet	N/A	# 1
9.2	Load test	N/A	# 1
10	Tables	---	---
10.1	Description of test unit	Pass	# 3
10.2	Load test	Pass	---
10.3	Table racking	Pass	---
Notes	:		
	# 1-	N/A means not applicable to this product design.	
	# 2-	Details see Clause 8.1.	
	# 4-	60in. L x 23in. D x 35in. H.	

Received sample



Unless otherwise agreed in writing, this document is issued by the Company subject to its General Conditions of Service printed overleaf, available on request or accessible at <http://www.sgs.com/en/Terms-and-Conditions.aspx> and, for electronic format documents, subject to Terms and Conditions for Electronic Documents at <http://www.sgs.com/en/Terms-and-Conditions/Terms-e-Documents.aspx>. Attention is drawn to the limitation of liability, indemnification and jurisdiction issues defined therein. Any holder of this document is advised that information contained hereon reflects the Company's findings at the time of its intervention only and within the limits of Client's instructions, if any. The Company's sole responsibility is to its Client and this document does not exonerate parties to a transaction from exercising all their rights and obligations under the transaction documents. This document cannot be reproduced except in full, without prior written approval of the Company. Any unauthorized alteration, forgery or falsification of the content or appearance of this document is unlawful and offenders may be prosecuted to the fullest extent of the law. Unless otherwise stated the results shown in this test report refer only to the sample(s) tested and such sample(s) are retained for 30 days only.
Attention: To check the authenticity of testing / inspection report & certificate, please contact us at telephone: (86-755) 8307 1443, or email: CN.Doccheck@sgs.com
 4th Building, No.889, Yishan Road, Xuhui District Shanghai, China 200233 t (86) 400 960 9661 f (86-21) 6115 6899 www.sgs.com.cn
 中国·上海·徐汇区宜山路889号4号楼 邮编: 200233 t (86) 400 960 9661 f (86-21) 6115 6899 e sgs.china@sgs.com



Test Report

No.: SHHL1608048771FT

Date: OCT. 24, 2016 Page: 19 of 19

Member Information	
Contact Name:	Ron Abney
Member Name:	Hamilton Laboratory Solutions
Address 1:	825 East Albert Drive
Address 2:	/
City, State(Region)	Manitowoc, Wi 54220
Postal Code:	
Country:	USA
Phone:	(920) 657-1970 ext 103
Email:	rabney@hamiltonlab.com

Test Lab Information	
Contact Name:	Donna Gu
Contact Title:	Furniture Lab Manager
Test Lab Name	SGS HL lab
City, State(Region)	Shanghai, XuHui District, 200233
Postal Code Country:	
Signature:	

Test Performed by:	SGS HL lab
Name of Tester:	Stan Zhong
Signature of Tester:	Stan Zhong

SGS authenticate the photo on original report only

End of Report



Unless otherwise agreed in writing, this document is issued by the Company subject to its General Conditions of Service printed overleaf, available on request or accessible at <http://www.sgs.com/en/Terms-and-Conditions.aspx> and, for electronic format documents, subject to Terms and Conditions for Electronic Documents at <http://www.sgs.com/en/Terms-and-Conditions/Terms-e-Documents.aspx>. Attention is drawn to the limitation of liability, indemnification and jurisdiction issues defined therein. Any holder of this document is advised that information contained hereon reflects the Company's findings at the time of its intervention only and within the limits of Client's instructions, if any. The Company's sole responsibility is to its Client and this document does not exonerate parties to a transaction from exercising all their rights and obligations under the transaction documents. This document cannot be reproduced except in full, without prior written approval of the Company. Any unauthorized alteration, forgery or falsification of the content or appearance of this document is unlawful and offenders may be prosecuted to the fullest extent of the law. Unless otherwise stated the results shown in this test report refer only to the sample(s) tested and such sample(s) are retained for 30 days only.

Attention: To check the authenticity of testing / inspection report & certificate, please contact us at telephone: (86-755) 8307 1443, or email: CN.Doccheck@sgs.com

SGS-CSTC Shanghai Technical Services (Group) Co., Ltd.
4th Building, No.889, Yishan Road, XuHui District Shanghai, China 200233 t (86) 400 960 9661 f (86-21) 6115 6899 www.sgs.com.cn
中国·上海·徐汇区宜山路889号4号楼 邮编: 200233 t (86) 400 960 9661 f (86-21) 6115 6899 e sgs.china@sgs.com